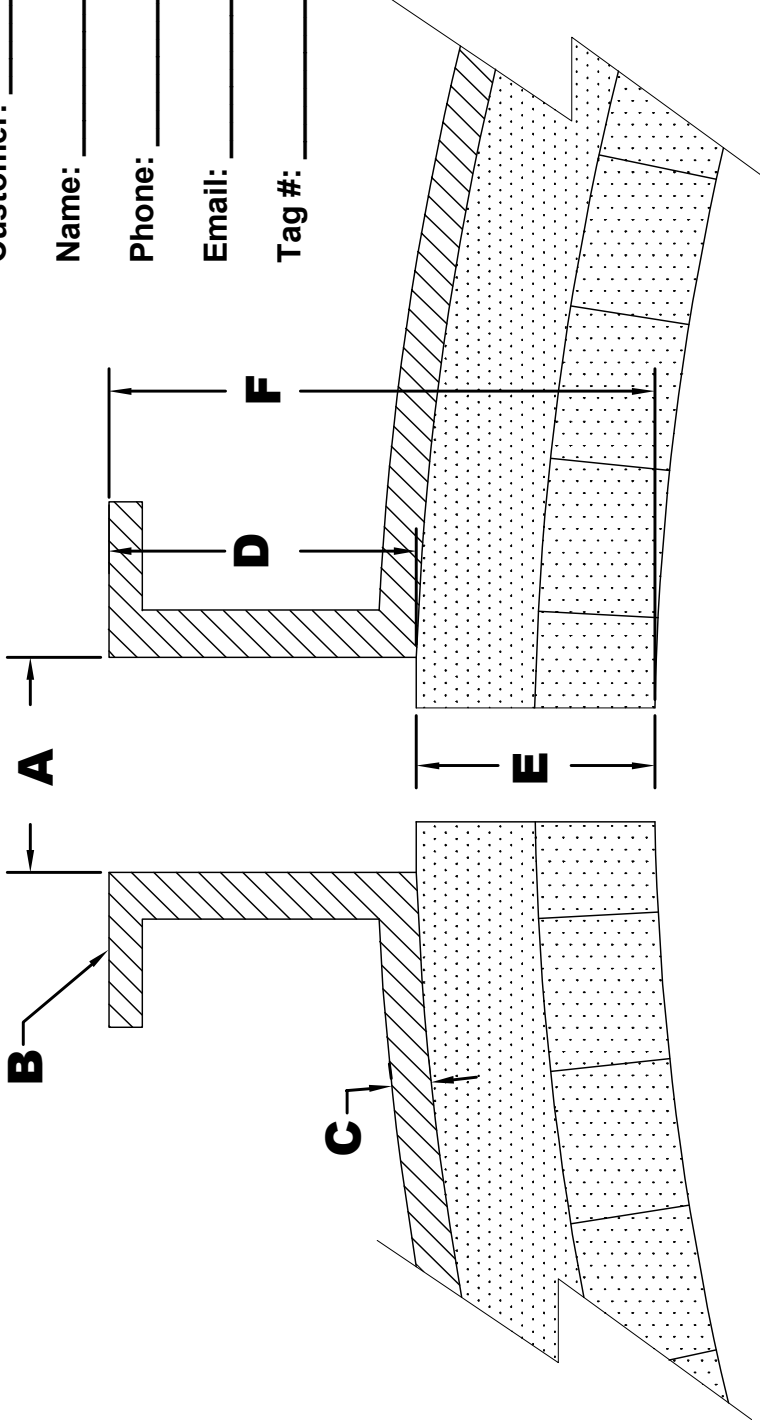


# INSTALLATION NOZZLE DETAIL

## Contact Information

Customer: \_\_\_\_\_  
 Name: \_\_\_\_\_  
 Phone: \_\_\_\_\_  
 Email: \_\_\_\_\_  
 Tag #: \_\_\_\_\_



A. Nozzle Inside Diameter \_\_\_\_\_ D. Nozzle Height \_\_\_\_\_  
 B. Connection Size and Class \_\_\_\_\_ E. Refractory Thickness \_\_\_\_\_  
 C. Shell Thickness \_\_\_\_\_ F. Insertion Length \_\_\_\_\_



Reply to: \_\_\_\_\_  
 Voice: +1 (318) 424-8471 Fax: +1 (318) 425-2421  
 Email: sales@deltacnt.com